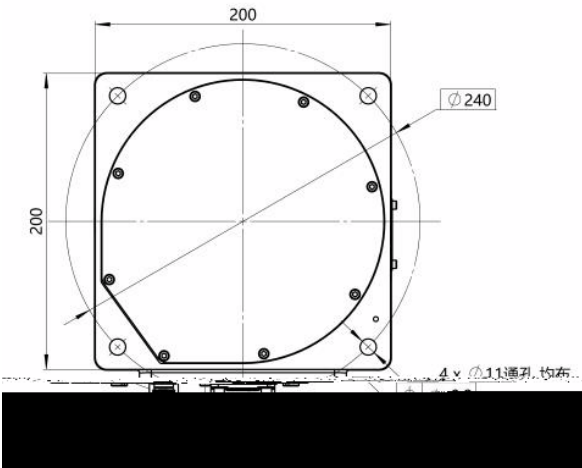
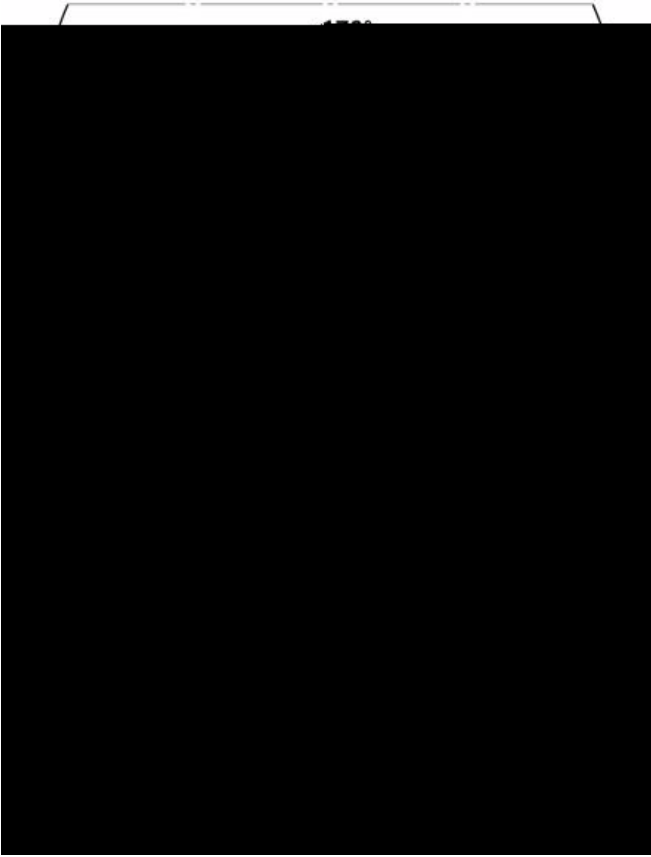




Motion range and installation dimension drawing



Ø 5 H7深7  
± 0.05

4 x M5深8 均布  
± 0.2

